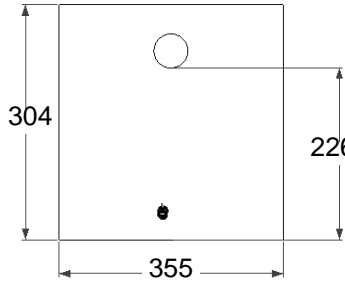
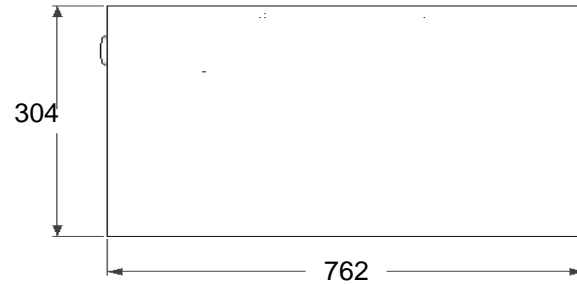


**Front view - Inlet**



**Back view - outlet**

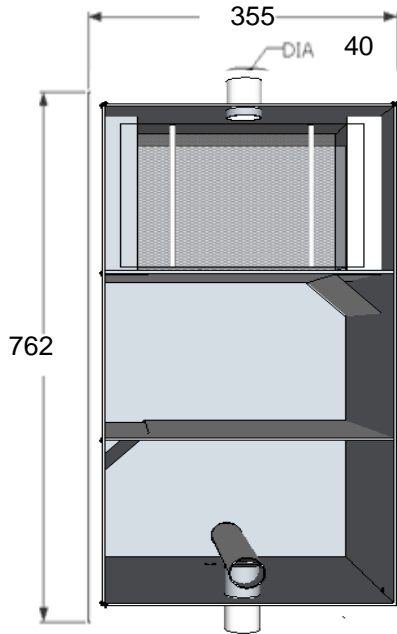


**Left view**

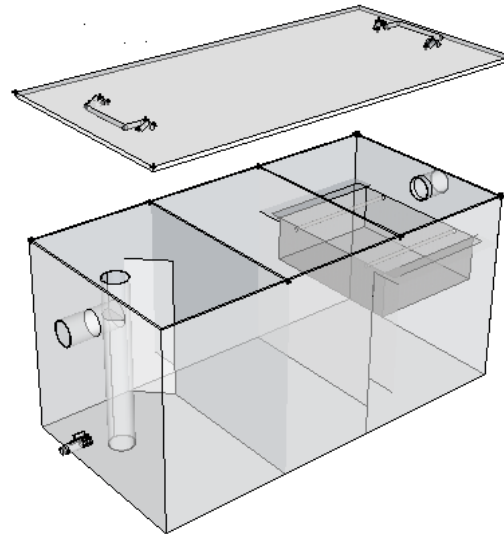
### Specifications

Model: **GTA02S**  
 Material: Stainless Steel 304  
 Thickness: 0.8 mm  
 Inlet pipe size: 1 ½ inch length 3"  
 Outlet pipe size: 1 ½ inch length 3"  
 Flow rate: 20 GPM  
 Capacity: 80 Liter

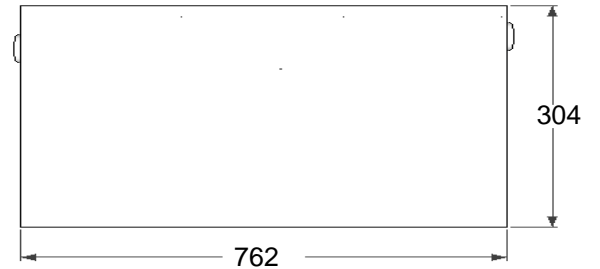
SIRIM: YES  
 Patent: YES  
 Trade Mark: EJAU  
 Warranty: 5 Years  
 Ready Stock: YES  
 Delivery: Between 3 days  
 Own Factory: YES, In Selangor



**Top view**



**ISO view**



**Right view**

\* In keeping with our policy of updating products we reserve the right to make improvements or changes.

### KUALITI ALAM HIJAU (M) SDN BHD

**DRAWING FOR :**

**DRAWING DESCRIPTION :**  
 Material : Stainless Steel 304 Non Rusted

**DATE :** 30/4/2014

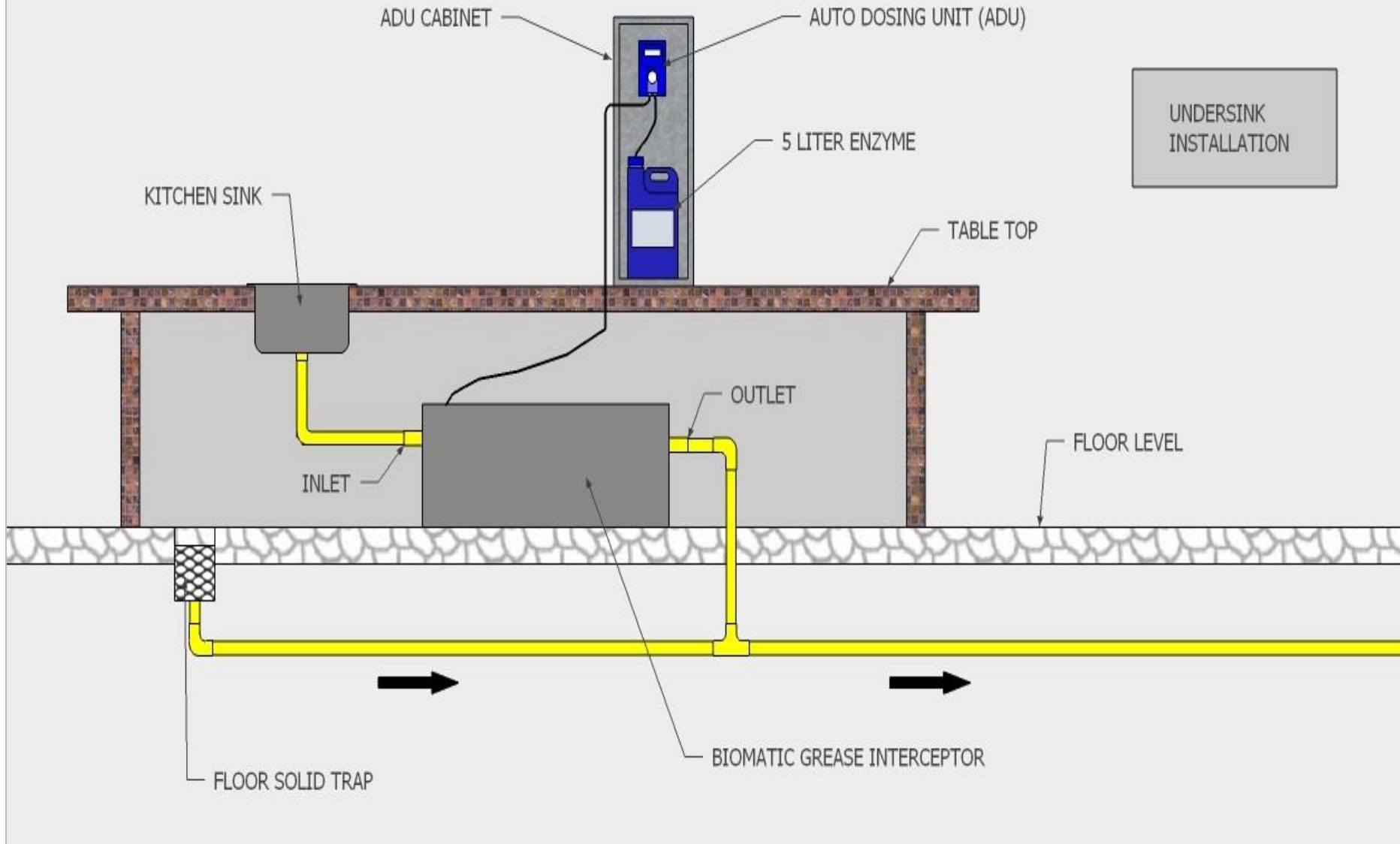
**NOTE :**  
 All dimension in MM unless otherwise specified

**Drawn by :** Liza

**Checked by :** Jackson

**Approved by :** Marizan

# BIOMATIC GREASE INTERCEPTOR INSTALATION GUIDE



UNDERSINK  
INSTALLATION

## KUALITI ALAM HIJAU (M) SDN BHD

**DRAWING FOR :**

**DRAWING DESCRIPTION :**  
Material : Stainless Steel 304 Non Rusted

**DATE :** 30/4/2014

**NOTE :**  
All dimension in MM unless otherwise specified

**Drawn by :** Liza

**Checked by :** Jackson Wong

**Approved by :** Marizan