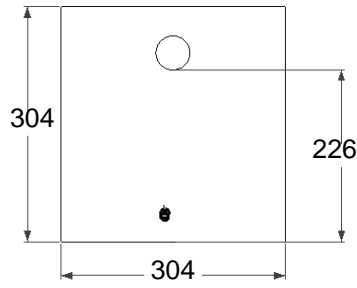
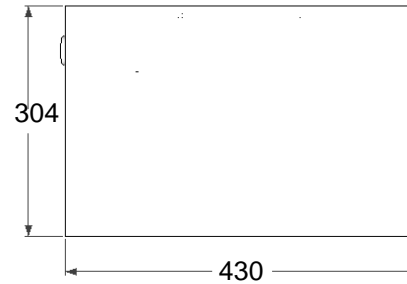


Front view - Inlet



Back view - outlet

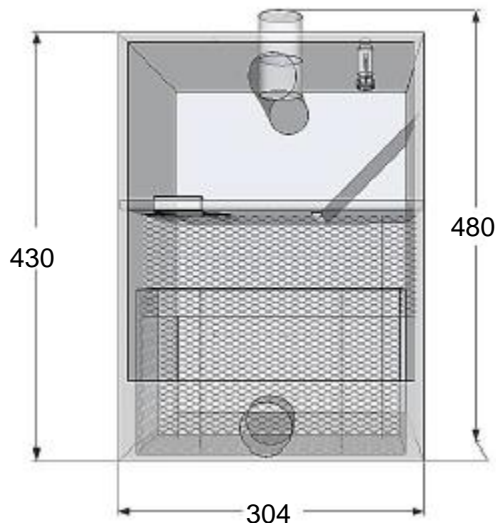


Left view

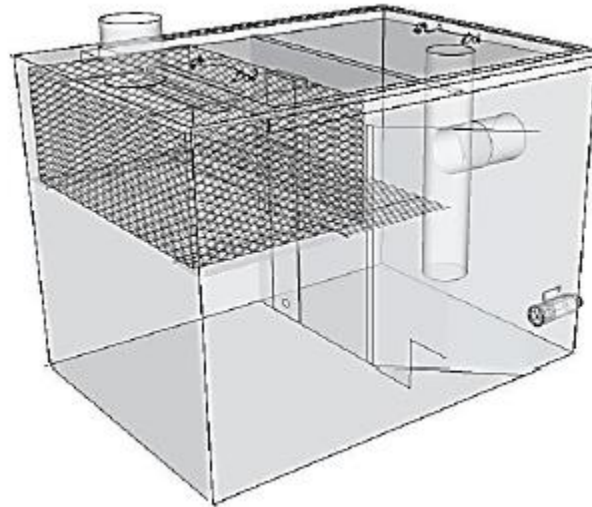
Specifications

Model: **GTS02**
 Material: Stainless Steel 304
 Thickness: 0.8 mm
 Inlet pipe size: 1 ½ inch length 3"
 Outlet pipe size: 1 ½ inch length 3"
 Flow rate: 12 GPM
 Capacity: 40 Liter

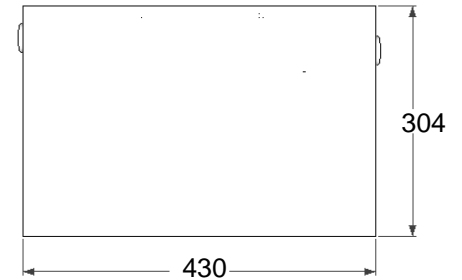
SIRIM: YES
 Patent: YES
 Trade Mark: EJAU
 Warranty: 5 Years
 Ready Stock: YES
 Delivery: Between 3 days
 Own Factory: YES, In Selangor



Top view



ISO view



Right view

* In keeping with our policy of updating products we reserve the right to make improvements or changes.

KUALITI ALAM HIJAU (M) SDN BHD

DRAWING FOR :

DRAWING DESCRIPTION :
 Grease Interceptor
 Model: **GTS02**
 Material: **Stainless Steel 304**

DATE : 1/6/2015

NOTE :
 All dimension in MM unless otherwise specified

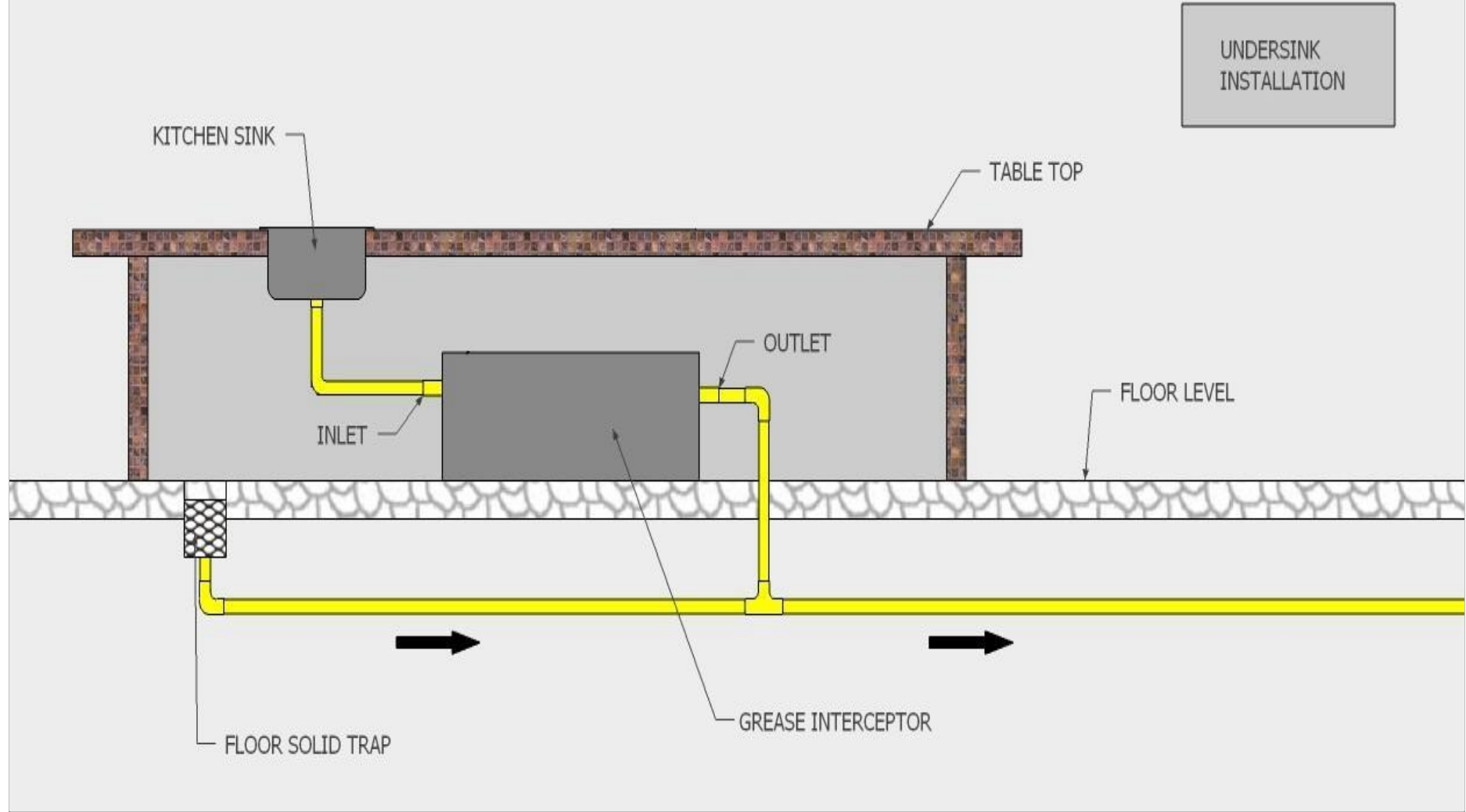
Drawn by : Syharul

Checked by : Tan Kok Hua

Approved by : Tan Kok Hua

GREASE INTERCEPTOR INSTALATION GUIDE

UNDERSINK
INSTALLATION



KUALITI ALAM HIJAU (M) SDN BHD

DRAWING FOR :

DRAWING DESCRIPTION :
Material : Stainless Steel 304 Non Rusted

DATE : 30/4/2014

NOTE :
All dimension in MM unless
otherwise specified

Drawn by : Syahrul

Checked by : Jackson Wong

Approved by : TAN

Installation Guide GTS02 GREASE TRAP

To Join Inlet
and Outlet

Use
40 mm
Socket

40 mm UPVC L

40 mm UPVC L

40 mm UPVC L

40 mm UPVC PT L

40 mm UPVC Socket

40 mm UPVC T

40 mm UPVC PT L

White Tape

40mm UPVC Socket

40 mm UPVC L

40 mm UPVC Pipe 2 meter

- Basic Installation Item:
- 1. 40 mm UPVC L x 4 unit
 - 2. 40 mm UPVC PT L x 2 unit
 - 3. 40 mm UPVC T x 1 unit
 - 4. 40 mm UPVC Socket x 2 unit
 - 5. 40 mm UPVC Pipe 2 meter
 - 6. White Tape small x 2 rol
- Other item:
- a)PVC Gam
 - b)Saw for cutting PVC

